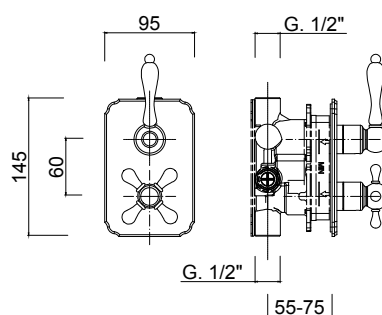


PRAGA - PRAGA CRYSTAL

8282-PR



T_{38°} Termostatico
Thermostatic

↔ Deviatore 3 vie - 1 entrata 2 uscite
3-way diverter - 1 inlet 2 outlets

G-BOX Box incasso
Built-in box

Termostatico incasso 2 uscite, box incasso.

Built-in thermostatic mixer with 2 outlets, built-in box.

Mitigeur thermostatique douche à encastrer avec 2 sorties, box d'encastrement.

UP-Thermostat mit 2-Wege-Umstellung, inkl. Box.

Termostática empotrada 2 salidas, box empotrado incluido.

Встраиваемый термостатический смеситель с 2 выходами, встраиваемый бокс

Articolo	Note	CROMO	CR	BR	O
8282-PR		√	√	√	√
8282-PRL	L	√	√	√	√
8282-PRCE	CE	√	√	√	√
8282-PR/S	S	√	√	√	√

CROMO: Cromo / Chrome-Plated - **CR:** Cromo-Oro / Chrome-Gold - **BR:** Bronzo / Bronze - **O:** Oro / Gold

L: Maniglia Praga legno / Wooden Praga Handle - **CE:** Maniglia Praga Ceramica / Ceramic Praga Handle - **S:** Maniglia Praga Crystal / Crystal Praga Handle

Rubinetteria Giulini Giovanni srl

Via Salvo D'Acquisto, 22 - 28076 Poggio (No) Italy

Tel. +39 0322 97157 / Fax. +39 032297498 - Tel. Export +39 0322 97057 - www.giulini.it - info@giulini.it