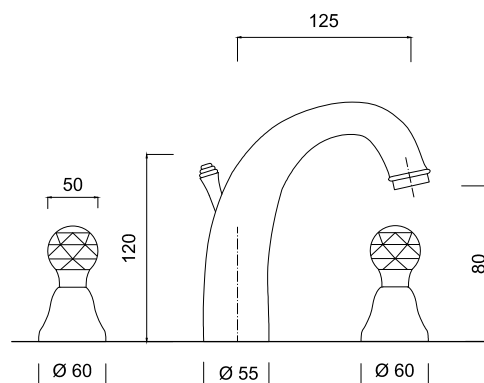


ODESSA CRYSTAL

3912A/S



Vitone dischi ceramici, rotazione 90°
Ceramic discs headwork, 90° rotation

0132P

Batteria lavabo 3 fori, scarico 1"1/4

3-hole wash-basin set, 1"1/4 pop-up waste.

Mélangeur lavabo à trois trous, vidage automatique 1"1/4.

Waschtisch-Dreilochbatterie, Ablaufgarnitur 1"1/4.

Bateria lavabo con 3 agujeros, tapón accionado por varilla 1"1/4.

Комплект для раковины на 3 отверстия, донный клапан 1"1/4.

Articolo	Note	CROMO	BR	O	
3912A/S		✓	✓	✓	

CROMO: Cromo / Chrome-Plated - **BR:** Bronzo / Bronze - **O:** Oro / Gold

Rubinetteria Giulini Giovanni srl

Via Salvo D'Acquisto, 22 - 28076 Pogno (No) Italy

Tel. +39 0322 97157 / Fax. +39 032297498 - Tel. Export +39 0322 97057 - www.giulini.it - info@giulini.it