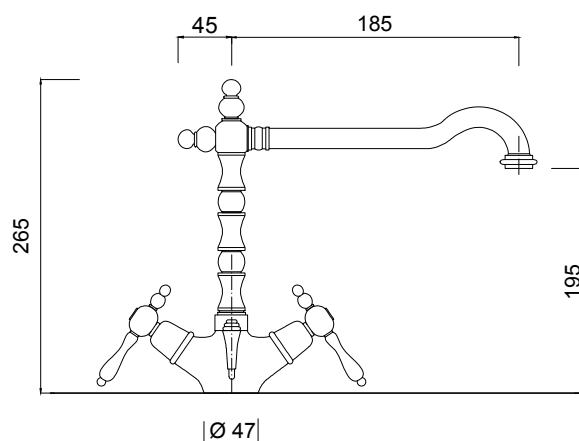


PRAGA - PRAGA CRYSTAL

S7556A



Vitone dischi ceramici, rotazione 90°
 Ceramic discs headwork, 90° rotation

0102

Monoforo lavabo, bocca girevole, scarico 1"1/4 (con flessibile).
Wash-basin unit, swivel spout, 1"1/4 pop-up waste (with flexible).
Mélangeur monotrou lavabo, bec mobile, vidage automatique 1"1/4 (avec flex.)
Waschtisch-Einlochbatterie, Rohrauslauf, Ablaufgarnitur 1"1/4 (mit flexiblen Anschlussschläuchen).
Monobloque lavabo, caño giratorio, tapón accionado por varilla 1"1/4 (con flexible).
Смеситель для раковины, поворотный излив, донный клапан 1"1/4 (гибкая подводка).

Articolo	Note	CROMO	CR	BR	O
S7556A		✓	✓	✓	✓
S7556AL	L	✓	✓	✓	✓
S7556ACE	CE	✓	✓	✓	✓
S7556A/S	S	✓	✓	✓	✓

CROMO: Cromo / Chrome-Plated - **CR:** Cromo-Oro / Chrome-Gold - **BR:** Bronzo / Bronze - **O:** Oro / Gold

L: Maniglia Praga legno / Wooden Praga Handle - **CE:** Maniglia Praga Ceramica / Ceramic Praga Handle - **S:** Maniglia Praga Crystal / Crystal Praga Handle

Rubinetteria Giulini Giovanni srl

Via Salvo D'Acquisto, 22 - 28076 Poggio (No) Italy

Tel. +39 0322 97157 / Fax. +39 032297498 - Tel. Export +39 0322 97057 - www.giulini.it - info@giulini.it