



INCASSI

BOX 5290

Parte incasso monocomando lavabo a muro, cartuccia Ø 35.

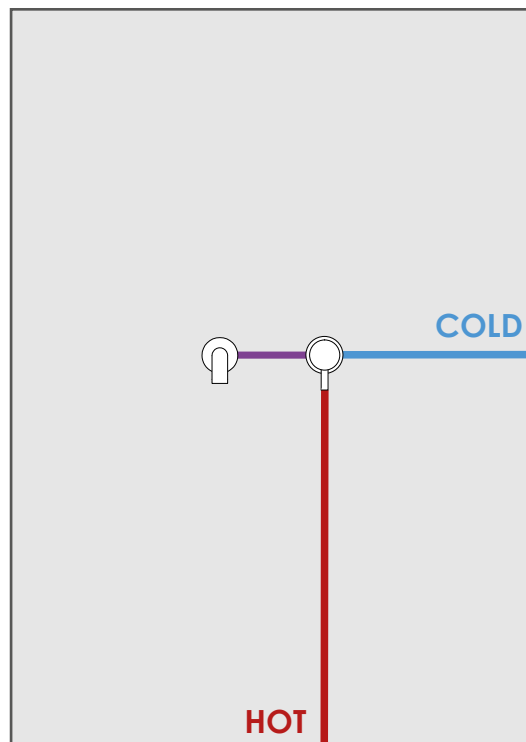
Built-in part of wall-mounted single-lever basin mixer, Ø 35 cartridge.

Elément à encastrer pour mitigeur de lavabo mural, cartouche Ø 35.

UP-Teil für Einhebel-Wandwaschtischmischer, Kartusche Ø 35.

Parte empotrada para mezclador monomando de pared para lavabo, cartucho Ø 35.

Встроенная часть настенного однорычажного смесителя для раковины, картридж Ø 35.



--25

| COMP | MY FUTURE DELUXE | MYRING DELUXE | SURF DELUXE | MY FUTURE | EGO | MYRING | SURF | PABLOLUX | FUTURO | PRAGAMIX | HARMONY | LADY | LINEA |
|------|------------------|---------------|-------------|-----------|-----|--------|------|----------|--------|----------|---------|------|-------|
| --25 | ✓ | ✓ | ✓ | ✓ | ✓ | ✓ | ✓ | ✓ | ✓ | ✓ | ✓ | ✓ | ✓ |

BOX 5297

Parte incasso GGBOX 5297 lavabo a muro.

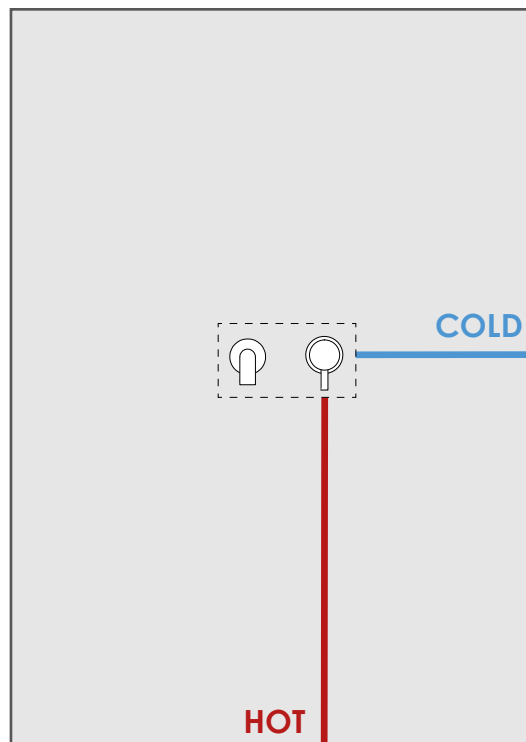
GGBOX 5297 built-in part for wall-mounted basin mixer.

GGBOX 5297 partie encastrable pour mitigeur de lavabo mural.

GGBOX 5297 UP-Teil für wandmontierten Waschtischmischer.

GGBOX 5297 pieza de empotrar para mezclador de lavabo de pared.

GGBOX 5297 встраиваемая часть для настенного смесителя для раковины.



--26

| COMP | MY FUTURE DELUXE | MYRING DELUXE | SURF DELUXE | MY FUTURE | EGO | MYRING | SURF | PABLOLUX | FUTURO | PRAGAMIX | HARMONY | LADY | LINEA |
|------|------------------|---------------|-------------|-----------|-----|--------|------|----------|--------|----------|---------|------|-------|
| --26 | ✓ | ✓ | ✓ | ✓ | ✓ | ✓ | ✓ | ✓ | ✓ | ✓ | ✓ | ✓ | ✓ |

BOX 5284

Parte incasso monocomando doccia incasso, cartuccia Ø 35.

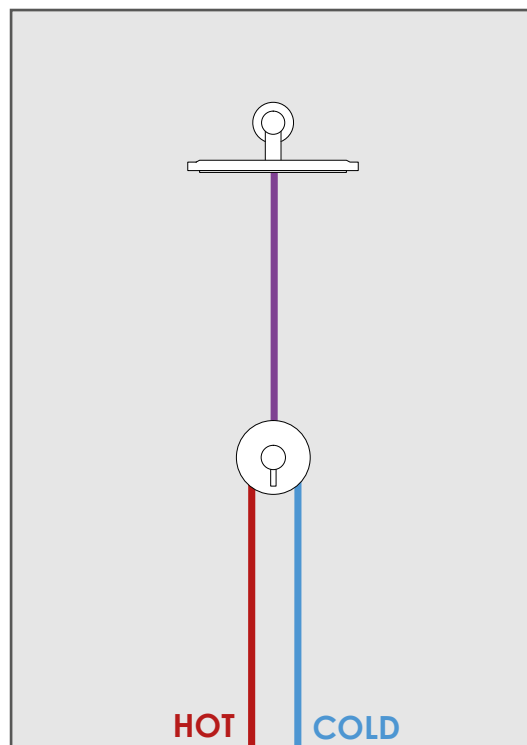
Built-in part for single-lever shower mixer, Ø 35 cartridge.

Partie à encastrer pour mitigeur de douche, cartouche Ø 35.

UP-Teil für Einhebel-Brausemischer, Kartusche Ø 35.

Pieza empotrable para mezclador monomando de ducha, cartucho Ø 35.

Встраиваемая часть для однорычажного смесителя для душа, картридж Ø 35.



__ 66



__ 15D



__ 15D/1

| COMP | MY FUTURE DELUXE | MYRING DELUXE | SURF DELUXE | MY FUTURE | EGO | MYRING | SURF | PABLLOLUX | FUTURO | PRAGAMIX | HARMONY | LADY | LINEA |
|----------|------------------|---------------|-------------|-----------|-----|--------|------|-----------|--------|----------|---------|------|-------|
| __ 66 | ✓ | X | ✓ | ✓ | ✓ | X | ✓ | ✓ | ✓ | X | X | ✓ | ✓ |
| __ 15D | ✓ | ✓ | ✓ | ✓ | ✓ | ✓ | ✓ | ✓ | ✓ | ✓ | ✓ | ✓ | ✓ |
| __ 15D/1 | ✓ | ✓ | ✓ | ✓ | ✓ | ✓ | ✓ | ✓ | ✓ | ✓ | ✓ | ✓ | ✓ |

BOX 5287

Parte incasso per doccia incasso con deviatore a pulsante, cartuccia Ø 35.

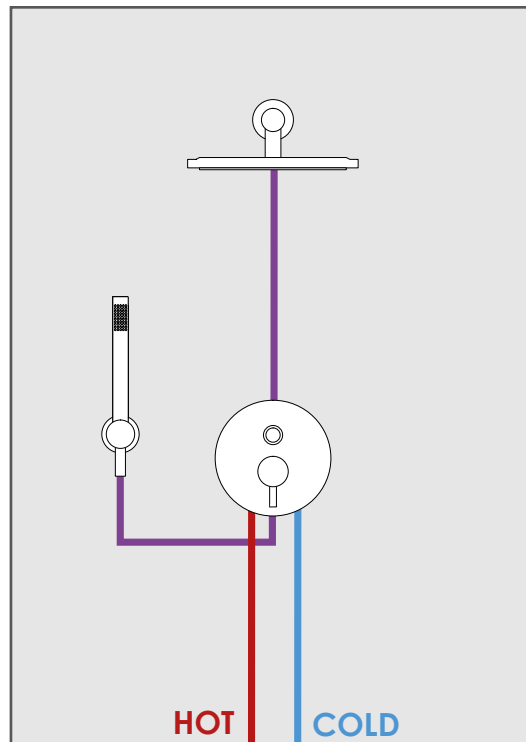
Built-in part for shower mixer, with push-button diverter, Ø 35 cartridge.

Partie à encastrer pour mitigeur de douche, avec inverseur à bouton-poussoir, cartouche Ø 35.

UP-Teil für Brausebatterie, mit Druckknopf-Umsteller, Kartusche Ø 35.

Pieza empotrable para monomando de ducha, con desviador pulsador, cartucho Ø 35.

Встраиваемая часть для смесителя для душа, с кнопочным переключателем, картридж Ø 35.



-- 79



-- 63

| COMP | MY FUTURE DELUXE | MYRING DELUXE | SURF DELUXE | MY FUTURE | EGO | MYRING | SURF | PABLLOLUX | FUTURO | PRAGAMIX | HARMONY | LADY | LINEA |
|-------|------------------|---------------|-------------|-----------|-----|--------|------|-----------|--------|----------|---------|------|-------|
| -- 79 | X | ✓ | ✓ | X | ✓ | ✓ | ✓ | ✓ | ✓ | ✓ | ✓ | ✓ | ✓ |
| -- 63 | ✓ | ✓ | ✓ | ✓ | ✓ | ✓ | ✓ | ✓ | ✓ | ✓ | ✓ | ✓ | ✓ |

BOX 5285

Parte incasso GGBOX 5285 con deviatore a rotazione 2 uscite.

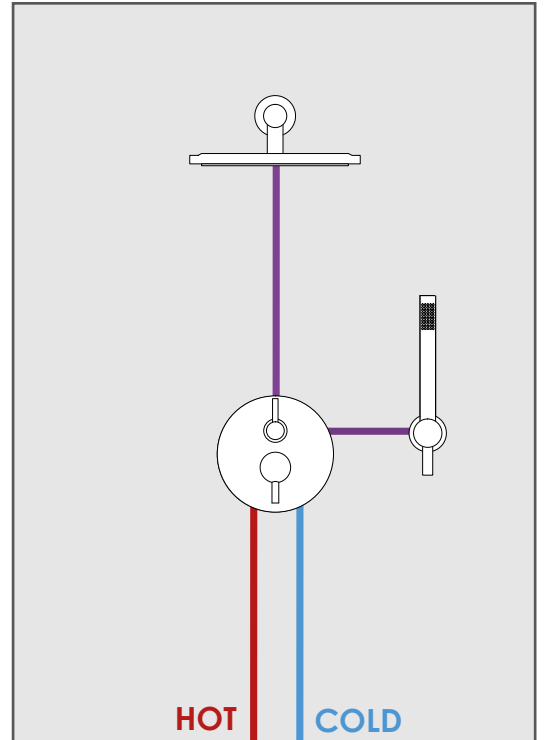
GGBOX 5285 built-in part, with rotating diverter, 2 outlets.

GGBOX 5285 partie encastrable, avec inverseur rotatif, 2 sorties.

GGBOX 5285 UP-Teil, mit Drehumsteller, 2 Ausgänge.

GGBOX 5285 pieza de empotrar, con desviador giratorio, 2 salidas.

GGBOX 5285 встраиваемая часть, с поворотным переключателем, 2 выхода.



__ 67



__ 68



__ 83

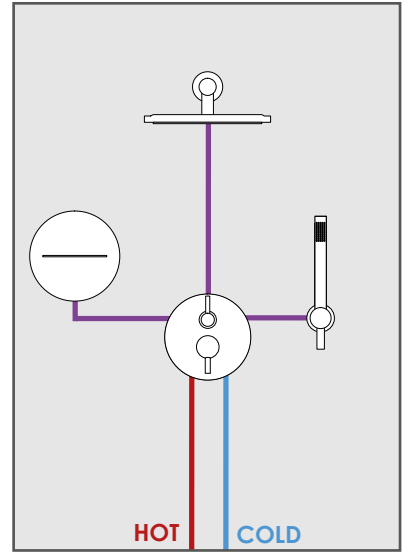


__ 64-2

| COMP | MY FUTURE DELUXE | MYRING DELUXE | SURF DELUXE | MY FUTURE | EGO | MYRING | SURF | PABLOLUX | FUTURO | PRAGAMIX | HARMONY | LADY | LINEA |
|---------|------------------|---------------|-------------|-----------|-----|--------|------|----------|--------|----------|---------|------|-------|
| __ 67 | ✓ | ✓ | ✓ | ✓ | ✓ | ✓ | ✓ | ✓ | ✓ | ✓ | ✓ | ✓ | ✓ |
| __ 68 | ✓ | ✓ | ✓ | ✓ | ✓ | ✓ | ✓ | ✓ | ✓ | ✓ | ✓ | ✓ | ✓ |
| __ 83 | ✓ | ✓ | ✓ | ✓ | ✓ | ✓ | ✓ | ✓ | ✓ | ✓ | ✓ | ✓ | ✓ |
| __ 64-2 | ✓ | ✓ | ✓ | ✓ | ✓ | ✓ | ✓ | ✓ | ✓ | ✓ | ✓ | ✓ | ✓ |

BOX 5286

Parte incasso GGBOX 5286 con deviatore a rotazione 3 uscite.
 GGBOX 5286 built-in part, with rotating diverter, 3 outlets.
 GGBOX 5286 partie encastrable, avec inverseur rotatif, 3 sorties.
 GGBOX 5286 UP-Teil, mit Drehumsteller, 3 Ausgänge.
 GGBOX 5286 pieza de empotrar, con desviador giratorio, 3 salidas.
 GGBOX 5286 встраиваемая часть, с поворотным переключателем, 3 выхода.



__ 69



__ 70



__ 71



__ 84



__ 64-3

| COMP | MY FUTURE DELUXE | MYRING DELUXE | SURF DELUXE | MY FUTURE | EGO | MYRING | SURF | PABLOLUX | FUTURO | PRAGAMIX | HARMONY | LADY | LINEA |
|---------|------------------|---------------|-------------|-----------|-----|--------|------|----------|--------|----------|---------|------|-------|
| __ 69 | ✓ | ✓ | ✓ | ✓ | ✓ | ✓ | ✓ | ✓ | ✓ | ✓ | ✓ | ✓ | ✓ |
| __ 70 | ✓ | ✓ | ✓ | ✓ | ✓ | ✓ | ✓ | ✓ | ✓ | ✓ | ✓ | ✓ | ✓ |
| __ 71 | ✓ | ✓ | ✓ | ✓ | ✓ | ✓ | ✓ | ✓ | ✓ | ✓ | ✓ | ✓ | ✓ |
| __ 84 | ✓ | ✓ | ✓ | ✓ | ✓ | ✓ | ✓ | ✓ | ✓ | ✓ | ✓ | ✓ | ✓ |
| __ 64-3 | ✓ | ✓ | ✓ | ✓ | ✓ | ✓ | ✓ | ✓ | ✓ | ✓ | ✓ | ✓ | ✓ |

BOX 5301

Parte incasso GGBOX 5301, deviatore a rotazione, predisposizione kit doccia, 1 uscita libera.

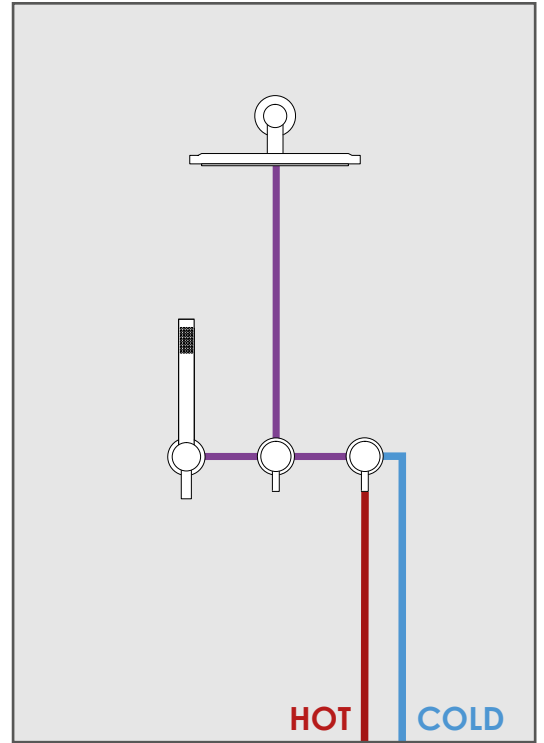
GGBOX 5301 built-in part, rotation diverter, shower kit housing, 1 free outlet.

GGBOX 5301 partie encastrable, inverseur de rotation, préparation de douche, 1 sortie libre.

GGBOX 5301 UP-Teil, Drehumsteller, Duschkvorbereitung, 1 freier Ausgänge.

GGBOX 5301 elemento empotrado, desviador de rotación, preparación de ducha, 1 salida libre.

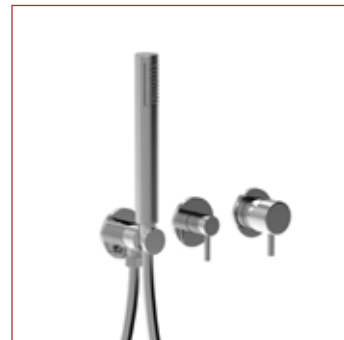
GGBOX 5301 встраиваемая часть, поворотный переключатель, вывод воды на ручной душ, 1 дополнительный вывод воды.



__ 86



__ 88



__ X5301

| COMP | MY FUTURE DELUXE | MYRING DELUXE | SURF DELUXE | MY FUTURE | EGO | MYRING | SURF | PABLOLUX | FUTURO | PRAGAMIX | HARMONY | LADY | LINEA |
|----------|------------------|---------------|-------------|-----------|-----|--------|------|----------|--------|----------|---------|------|-------|
| __ 86 | ✓ | ✓ | ✓ | ✓ | ✓ | ✓ | ✓ | ✓ | ✓ | ✓ | ✓ | ✓ | ✓ |
| __ 86 | ✓ | ✓ | ✓ | ✓ | ✓ | ✓ | ✓ | ✓ | ✓ | ✓ | ✓ | ✓ | ✓ |
| __ X5301 | ✓ | ✓ | ✓ | ✓ | ✓ | ✓ | ✓ | ✓ | ✓ | ✓ | ✓ | ✓ | ✓ |

BOX 5302

Parte incasso GGBOX 5302, deviatore a rotazione, predisposizione kit doccia, 2 uscite libere.

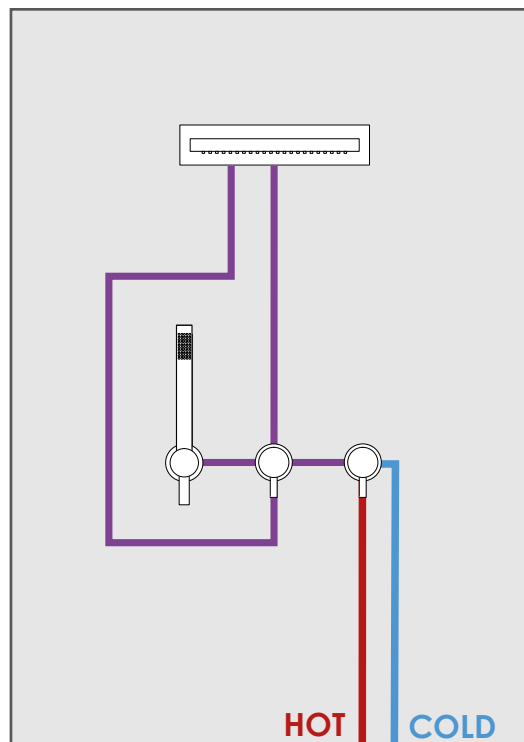
GGBOX 5302 built-in part, rotation diverter, shower kit housing, 2 free outlets.

GGBOX 5302 partie encastrable, inverseur de rotation, prédisposition pour kit de douche, 2 sorties libres

UP-Teil GGBOX 5302, Drehumsteller, Vorbereitung für Duschset, 2 freie Ausgänge.

GGBOX 5302 empotrado, desviador de rotación, predisposición para kit de ducha, 2 salidas libres.

Встраиваемая деталь GGBOX 5302, поворотный переключатель, вывод воды для душевого гарнитура, 2 свободных выхода воды.



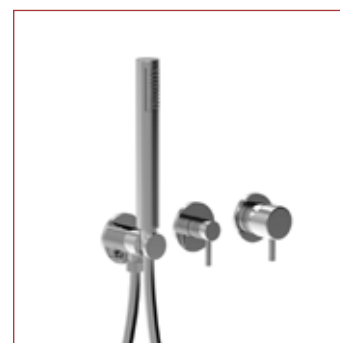
__ 93



__ 94



__ 98

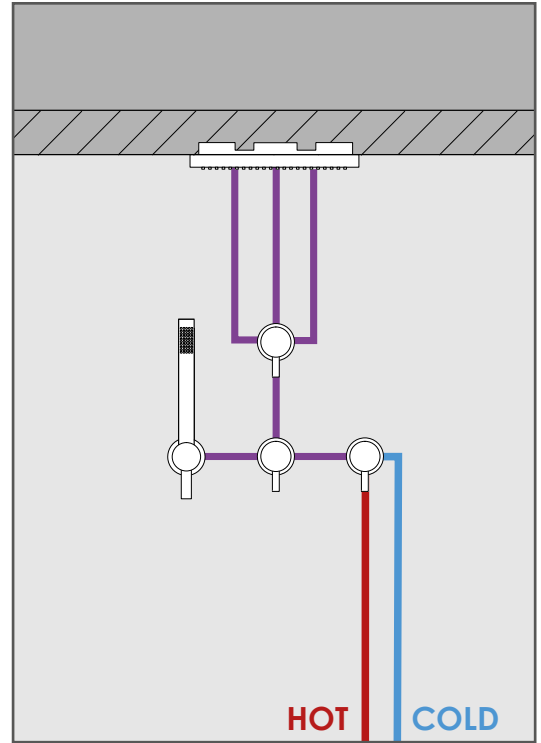


__ X5302

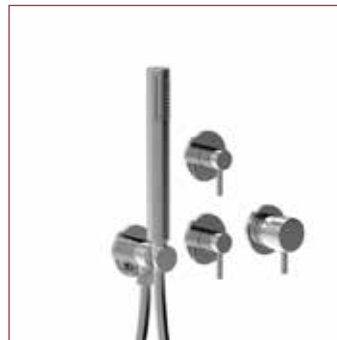
| COMP | MY FUTURE DELUXE | MYRING DELUXE | SURF DELUXE | MY FUTURE | EGO | MYRING | SURF | PABLOLUX | FUTURO | PRAGAMIX | HARMONY | LADY | LINEA |
|----------|------------------|---------------|-------------|-----------|-----|--------|------|----------|--------|----------|---------|------|-------|
| __ 93 | ✓ | ✓ | ✓ | ✓ | ✓ | ✓ | ✓ | ✓ | ✓ | ✓ | ✓ | ✓ | ✓ |
| __ 94 | ✓ | ✓ | ✓ | ✓ | ✓ | ✓ | ✓ | ✓ | ✓ | ✓ | ✓ | ✓ | ✓ |
| __ 98 | ✓ | ✓ | ✓ | ✓ | ✓ | ✓ | ✓ | ✓ | ✓ | ✓ | ✓ | ✓ | ✓ |
| __ X5302 | ✓ | ✓ | ✓ | ✓ | ✓ | ✓ | ✓ | ✓ | ✓ | ✓ | ✓ | ✓ | ✓ |

BOX 5304

Parte incasso GGBOX 5304, deviatore a rotazione, predisposizione kit doccia, 3 uscite libere.
 GGBOX 5304 built-in part, rotation diverter, shower kit housing, 3 free water outlets.
 GGBOX 5304 partie encastrable, inverseur de rotation, prédisposition pour kit de douche, 3 sorties d'eau libres.
 UP-Teil GGBOX 5304, Drehumsteller, Vorbereitung für Duschset, 3 freie Ausgänge.
 GGBOX 5304 empotrado, desviador de rotación, predisposición para kit de ducha, 3 salidas de agua libres
 вывод воды для душевого гарнитура, 3 свободных выхода воды.



-- 99



-- X5304

| COMP | MY FUTURE DELUXE | MYRING DELUXE | SURF DELUXE | MY FUTURE | EGO | MYRING | SURF | PABLOLUX | FUTURO | PRAGAMIX | HARMONY | LADY | LINEA |
|----------|------------------|---------------|-------------|-----------|-----|--------|------|----------|--------|----------|---------|------|-------|
| -- 99 | ✓ | ✓ | ✓ | ✓ | ✓ | ✓ | ✓ | ✓ | ✓ | ✓ | ✓ | ✓ | ✓ |
| -- X5304 | ✓ | ✓ | ✓ | ✓ | ✓ | ✓ | ✓ | ✓ | ✓ | ✓ | ✓ | ✓ | ✓ |

BOX 5305

Parte incasso GGBOX 5305, deviatore a rotazione, predisposizione kit doccia, 4 uscite libere.

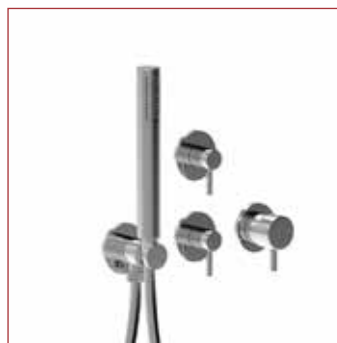
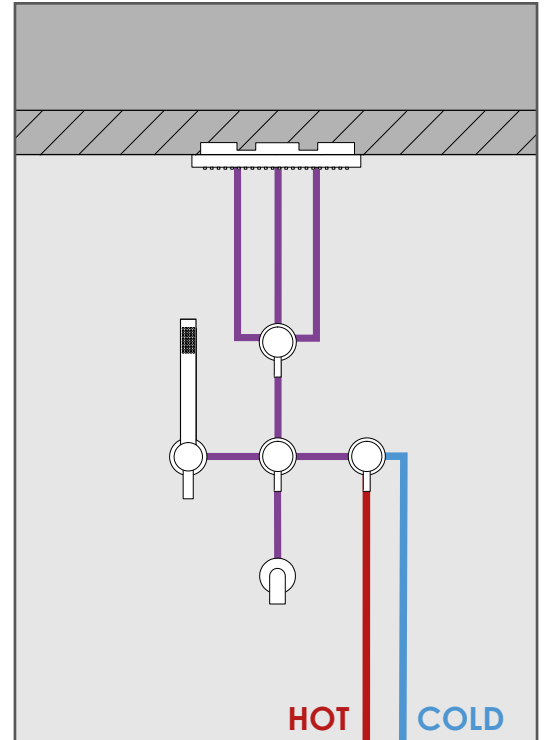
GGBOX 5305 built-in part, with rotating diverter, shower kit housing, 4 free outlets.

GGBOX 5305 partie encastrable, avec inverseur rotatif, prédisposition pour kit de douche, 4 sorties libres.

GGBOX 5305 UP-Teil, mit drehbarem Umsteller, Vorbereitung für Duschset, 4 freier Ausgänge.

GGBOX 5305 pieza de empotrar, con desviador giratorio, predisposición para kit de ducha, 4 salidas libres.

GGBOX 5305 встраиваемая часть, с поворотным переключателем, выход воды для душевого гарнитура, 4 свободных выхода.



-- X5305

| COMP | MY FUTURE DELUXE | MYRING DELUXE | SURF DELUXE | MY FUTURE | EGO | MYRING | SURF | PABLOLUX | FUTURO | PRAGAMIX | HARMONY | LADY | LINEA |
|----------|------------------|---------------|-------------|-----------|-----|--------|------|----------|--------|----------|---------|------|-------|
| -- X5305 | ✓ | ✓ | ✓ | ✓ | ✓ | ✓ | ✓ | ✓ | ✓ | ✓ | ✓ | ✓ | ✓ |

BOX 5291

Parte incasso termostatico GGBOX 5291 con deviatore a rotazione 2 uscite.

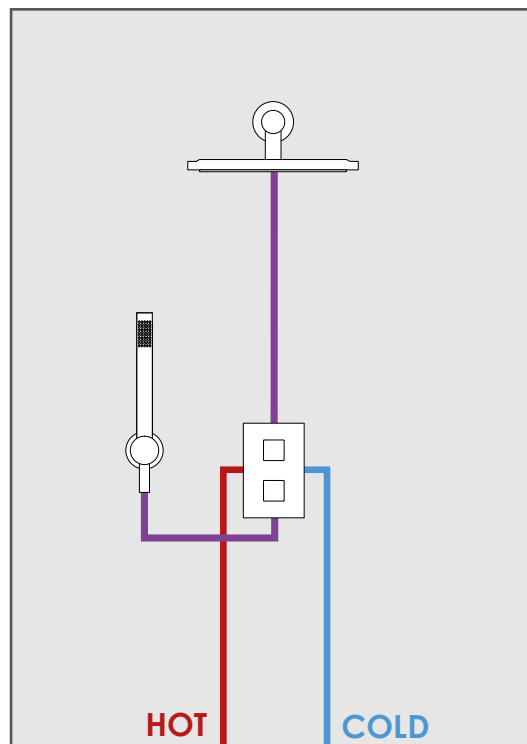
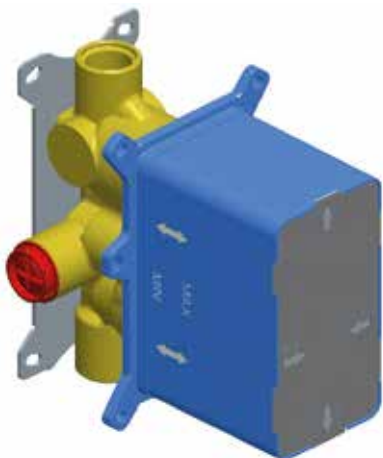
GGBOX 5291 - Thermostatic built-in part with 2 outlet rotary diverter.

GGBOX 5291 - Partie thermostatique à encastrer avec inverseur rotatif 2 sorties.

GGBOX 5291 - Thermostatischer UP-Teil mit 2-Auslass-Drehumsteller.

GGBOX 5291 - Pieza termostática de empotrar con desviador rotativo de 2 salidas.

GGBOX 5291 - Термостатический встраиваемый элемент с поворотным переключателем на 2 выхода.



8276/67



8276/83



8270/67



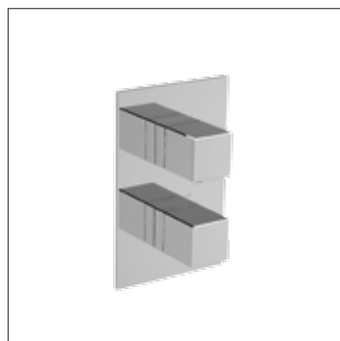
8270/83



8282/67



8276



8270



8272-PR

BOX 5292

Parte incasso termostatico GGBOX 5292 con deviatore a rotazione 3 uscite.

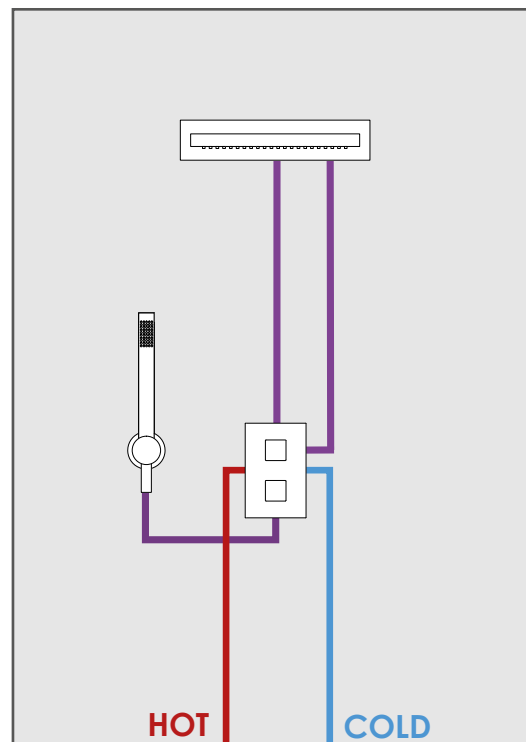
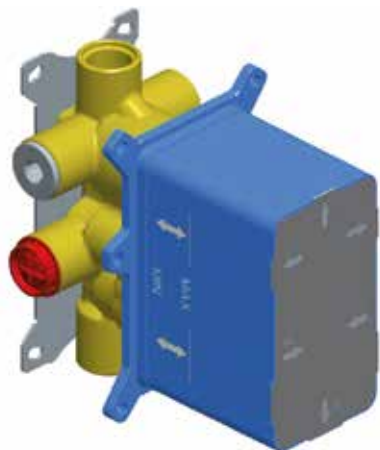
GGBOX 5292 - Thermostatic built-in part with 3 outlet rotary diverter.

GGBOX 5292 - Partie thermostatique à encastrer avec inverseur rotatif 3 sorties.

GGBOX 5292 - Thermostatischer UP-Teil mit 3-Auslass-Drehumsteller.

GGBOX 5292 - Pieza termostática de empotrar con desviador rotativo de 3 salidas.

GGBOX 5292 - Термостатический встраиваемый элемент с поворотным переключателем на 3 выхода.



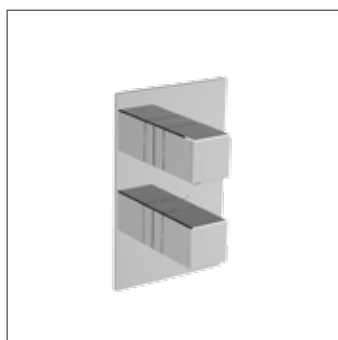
8283/71



8283/84



8277



8271



8283-PR

BOX 5293

Parte incasso termostatico GGBOX 5293 con deviatore a rotazione, predisposizione duplex, 1 uscita libera.

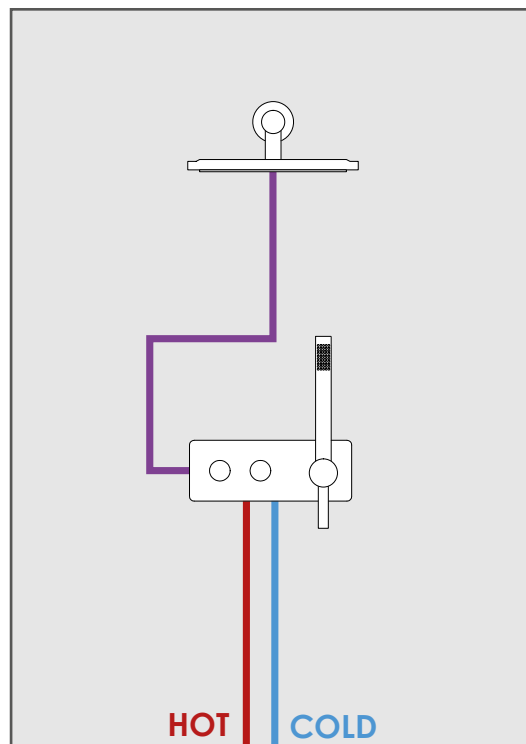
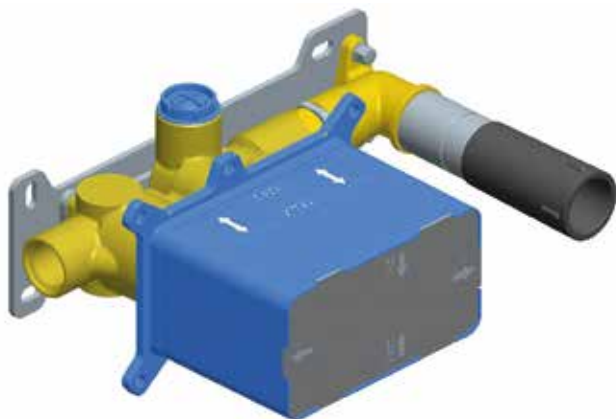
GGBOX 5293 - Thermostatic built-in part with rotating diverter, predisposition for shower kit, 1 free outlet.

GGBOX 5293 - Partie encastrable thermostatique avec inverseur rotatif, prédisposition pour kit de douche, 1 sortie libre.

GGBOX 5293 - Thermostat-UP-Teil mit drehbarem Umsteller, Vorbereitung für Duschset, 1 freier Auslass.

GGBOX 5293 - Elemento termostático de empotrar con desviador giratorio, predisposición para kit de ducha, 1 salida libre.

GGBOX 5293 - Термостатический встраиваемый элемент с поворотным переключателем, возможность установки душевого комплекта, 1 свободный выпуск.



8278/86



8278/83



8272/86



8272/83



8278



8272

BOX 5294

Parte incasso termostatico GGBOX 5294 con deviatore a rotazione, predisposizione duplex, 2 uscite libere

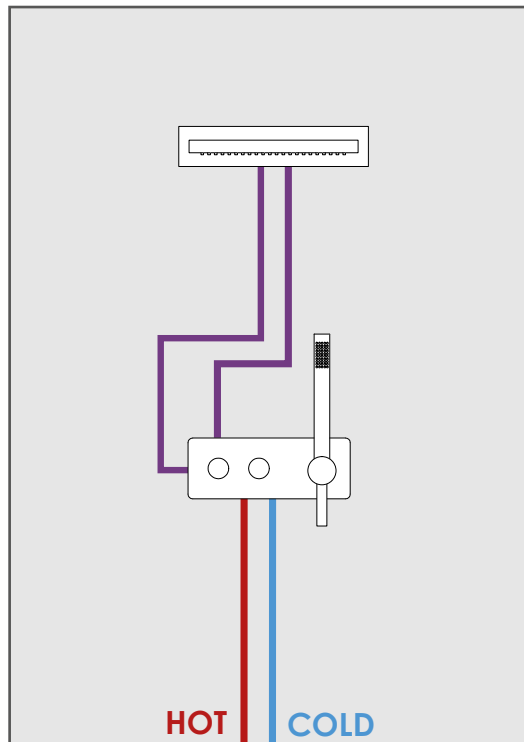
GGBOX 5294 - Thermostatic built-in part with rotating diverter, duplex predisposition, 2 free outlets

GGBOX 5294 - Thermostatic built-in part with rotating diverter, duplex predisposition, 2 free outlets

GGBOX 5294 - Thermostatischer UP-Teil mit drehbarem Umsteller, Duplex-Vorbereitung, 2 freie Ausgänge

GGBOX 5294 - Empotrable termostático con desviador giratorio, predisposición dúplex, 2 salidas libres

GGBOX 5294 - Empotrable termostático con desviador giratorio, predisposición dúplex, 2 salidas libres



8279/89



8279/94



8279/98



8273/89



82873/94



8273/98



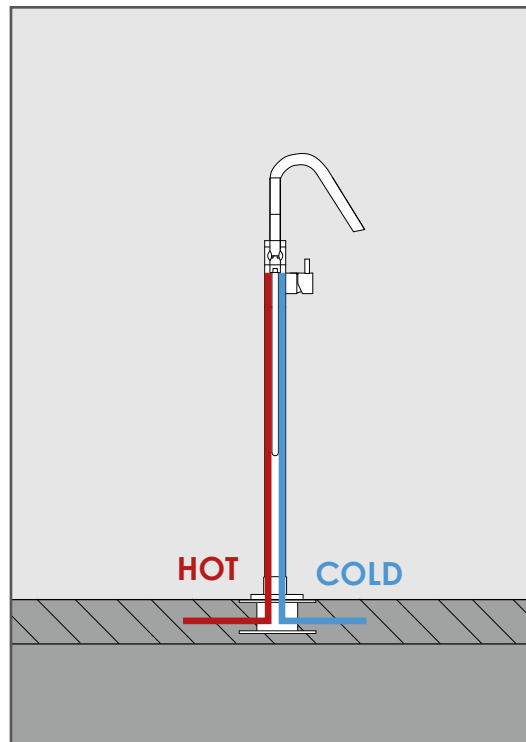
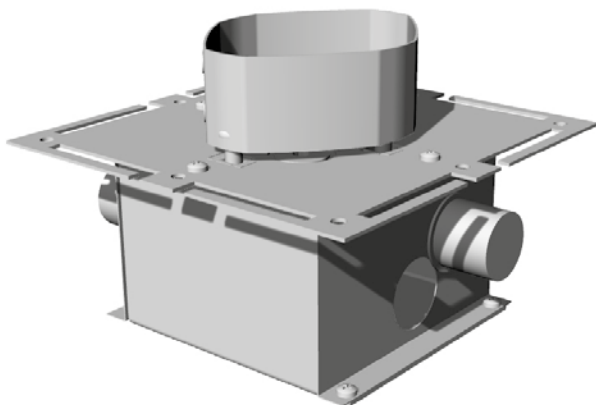
8279



8273

BOX 5300

Parte incasso GGBOX 5300.
Built-in part GGBOX 5300.
Pièce d'installation GGBOX 5300.
UP-Teil GGBOX 5300.
Pieza de instalación GGBOX 5300.
Встраиваемая часть GGBOX 5300.



-- 90



-- 92

| COMP | MY FUTURE DELUXE | MYRING DELUXE | SURF DELUXE | MY FUTURE | EGO | MYRING | SURF | PABLLOLUX | FUTURO | PRAGAMIX | HARMONY | LADY | LINEA |
|-------|------------------|---------------|-------------|-----------|-----|--------|------|-----------|--------|----------|---------|------|-------|
| -- 90 | ✓ | X | ✓ | ✓ | X | X | ✓ | ✓ | X | X | X | X | X |
| -- 92 | ✓ | ✓ | ✓ | ✓ | ✓ | ✓ | ✓ | ✓ | ✓ | X | X | X | X |